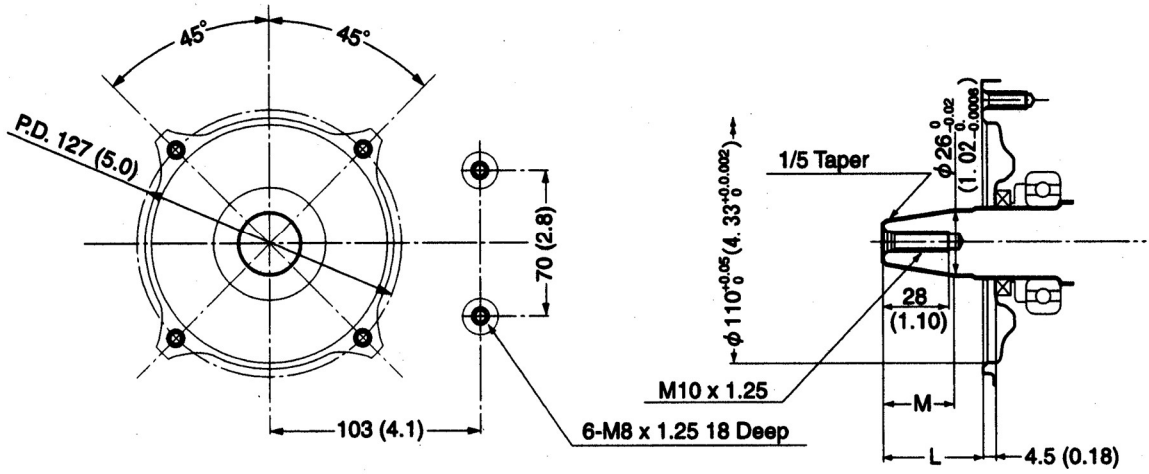
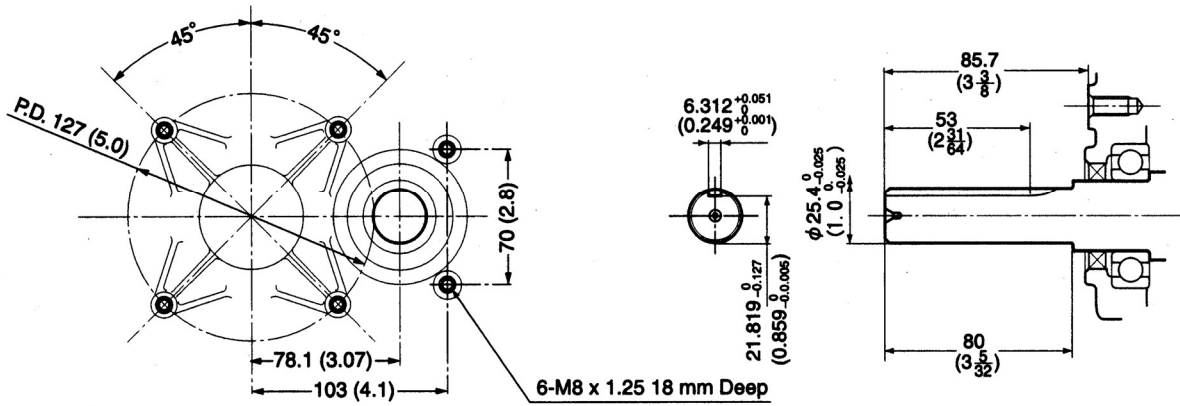


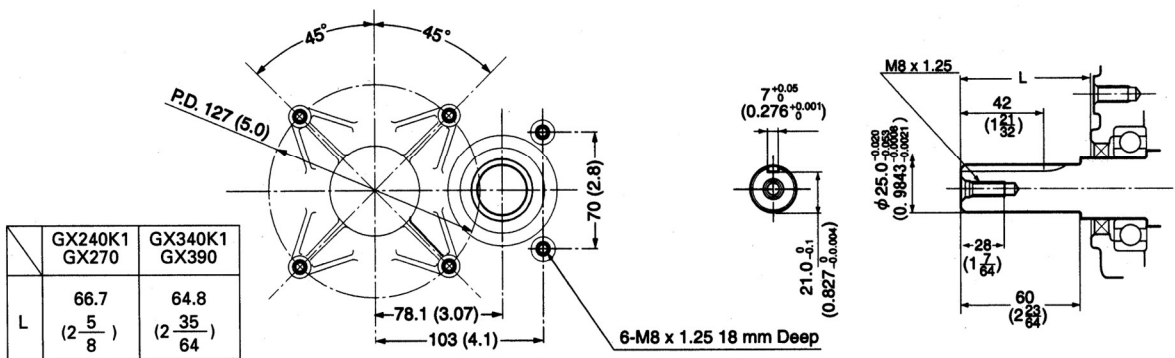
Tip E arbore conic



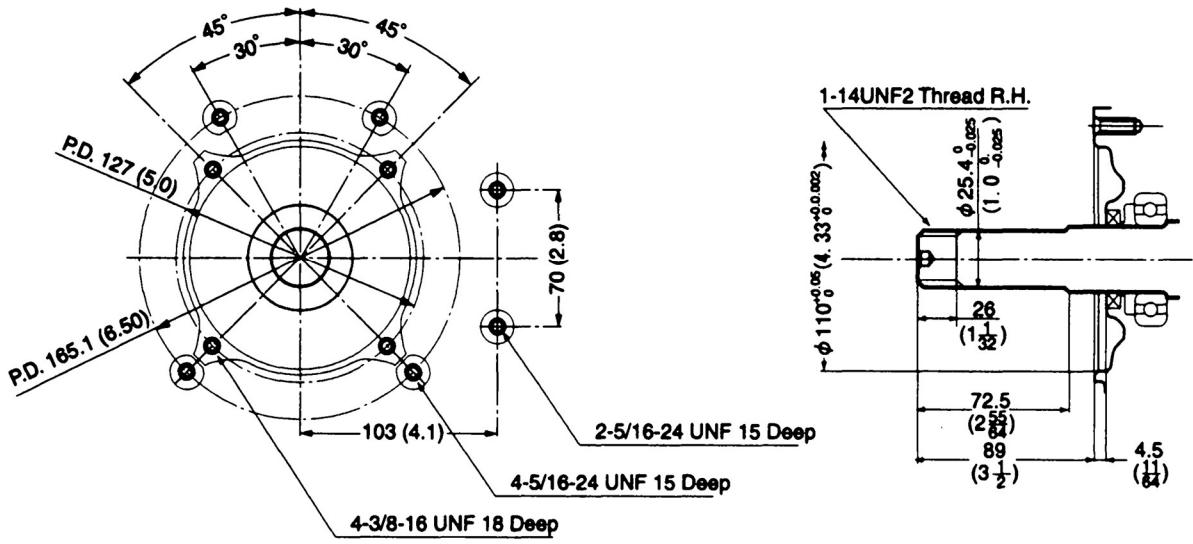
Tip H Reducere PTO



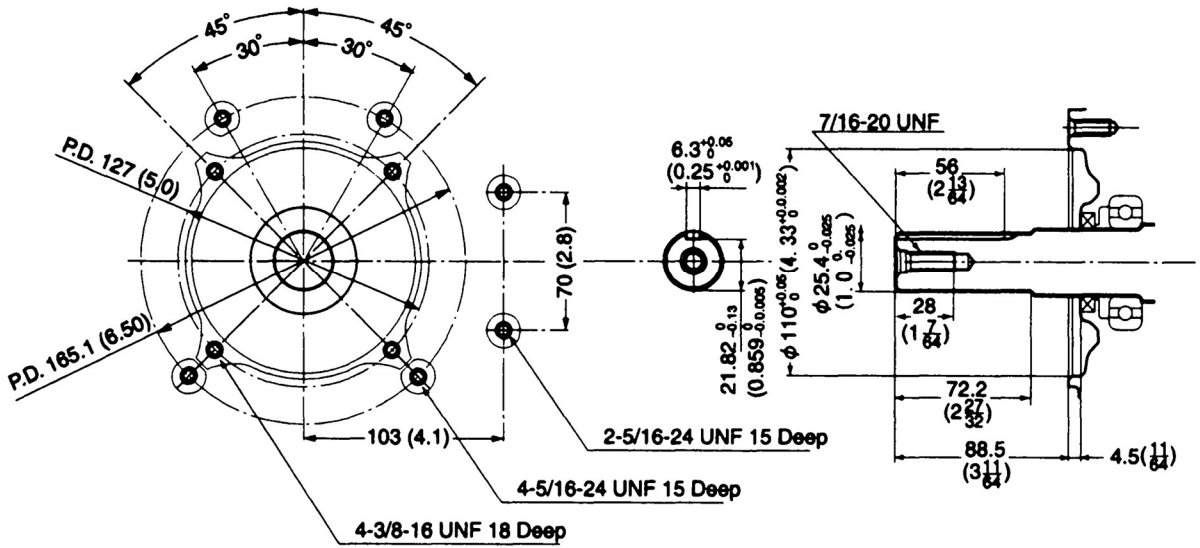
Tip L Reducere PTO



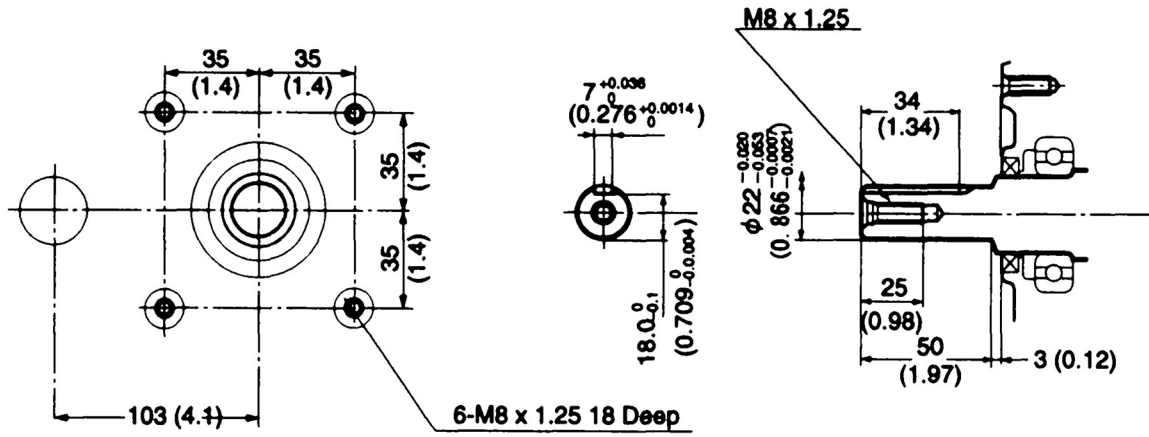
Tip P Tip filetat (SAE)



Tip Q Arbore drept



Tip R Reducere PTO



Tip V arbore conic

